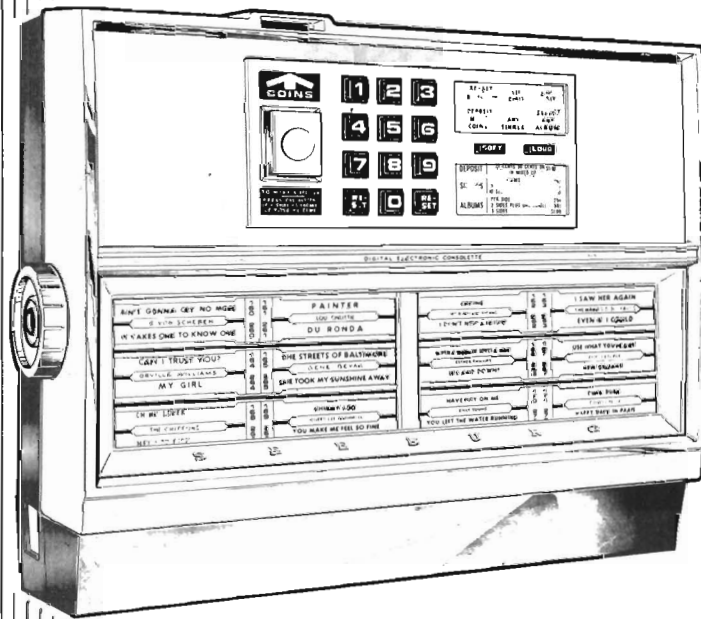


www.wallbox2mp3.com

SEEBURG

DIGITAL ELECTRONIC CONSOLETTA,

Types DEC110 & DEC125



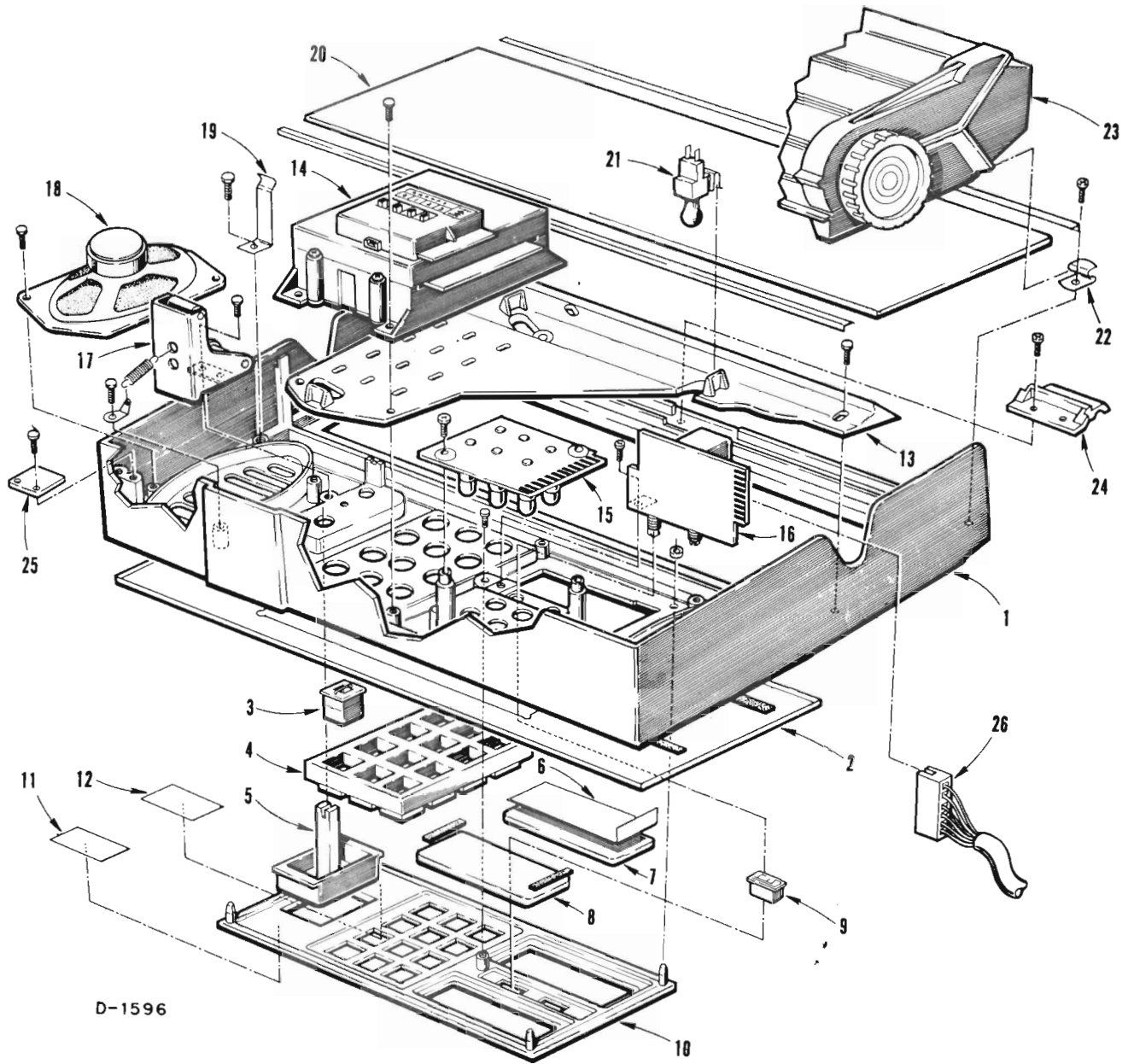
PARTS CATALOG



CATALOG NO. 516005

THE
SEEBURG SALES CORPORATION
CHICAGO, ILLINOIS 60622 U.S.A.

FRONT DOOR ASSEMBLY, Part No. 515830

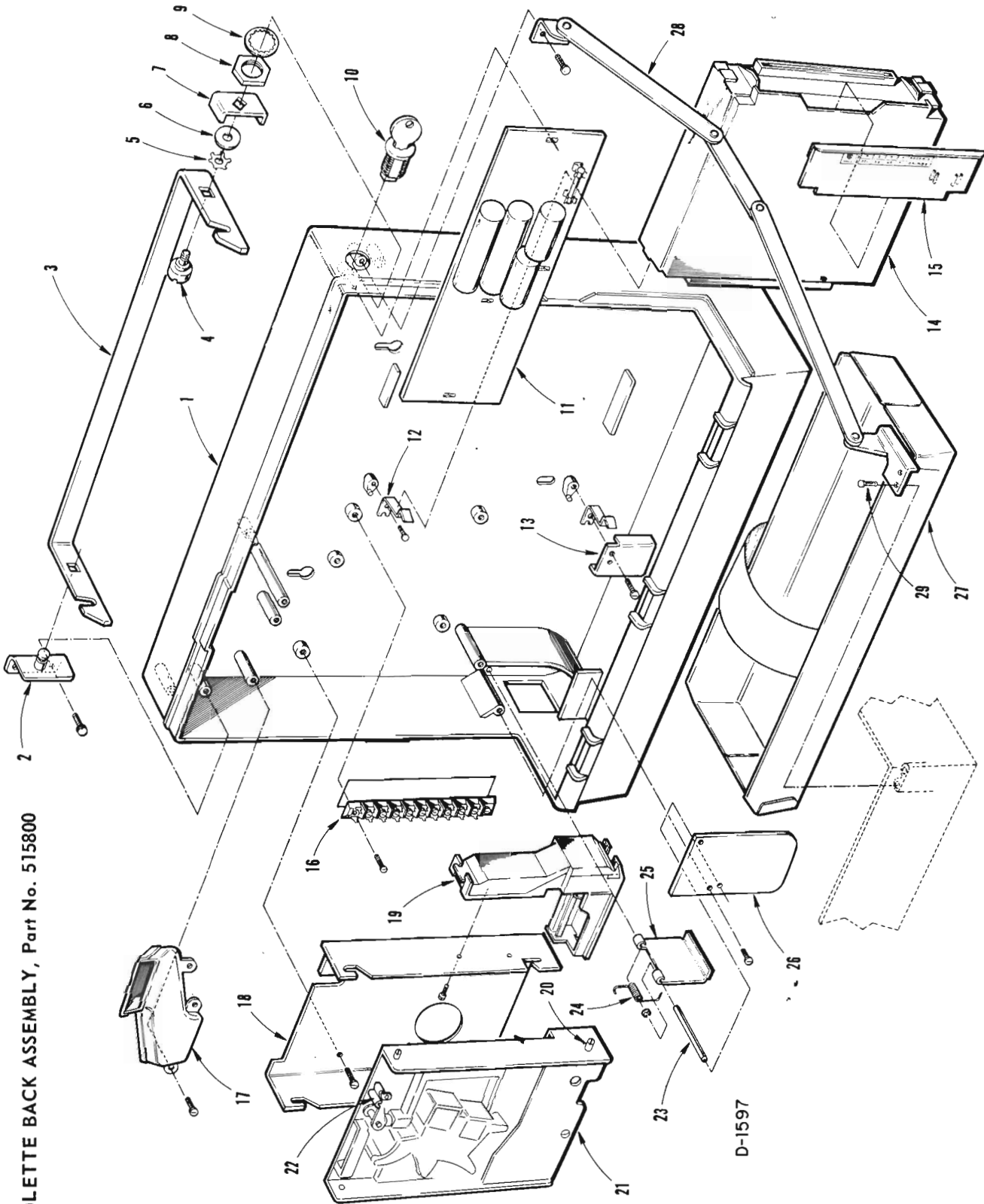


D-1596

PARTS LIST FOR FRONT DOOR ASSEMBLY, Part No. 515830

Item	Part No.	Description
* 1	515832	Finished Front Door
2	515747	Grille
	53419	1/8 Wide x 1/16 Adh. Ctd. Sponge Rubber
3	515845	Selector Buttons (Set of 12) (Staple Installed)
4	515740	Button Guide Block
5	515843	Scavenger Button
* 6	515718	Pricing Window (use with Type DEC125)
* 7	515720	Pricing Window (use with Type DEC110)
7	515844	Pricing Window Glass
* 8	515726	Credit Window
	53419	1/8 Wide x 1/16 Adhesive Ctd. Sponge Rubber
9	515746	Volume Control Buttons (Set of two)
10	515741	Finished Control Panel
	901450	5/32 Nut (4)
	960731	6-32 x 5/16 S.T. Screw
*11	515732	Coin Instruction Plate
*12	516006	Selection Instruction Plate
13	515862	Finished Program Light Guide
	961001	8-32 x 5/16 S.T. Screw
14	412000	Type DES1 Digital Electronic Selector
	961008	8-32 x 3/8 S.T. Screw
15	515852	Light Board Assembly
	318029	No. 1819 Lamp (6)
16	515835	Volume Control Assembly
	960355	4-40 x 1/4 S.T. Screw
17	515846	Scavenger Arm Riveted Assembly
	411936	Spring
	961001	8-32 x 5/16 S.T. Screw
18	515865	Speaker (2)
	961001	8-32 x 5/16 S.T. Screw
19	515861	Program Retainer Clip
	960989	8-32 x 5/16 S.T. Screw
20	515859	Front Program Window
	515860	Window Extrusion
*21	515758	Lamp Holder (Part of item 26)
*	507522	No. 19 Lamp (Part of item 26)
22	515864	Program Retainer Clip (2)
	961001	8-32 x 5/16 S.T. Screw
*23	515760	Program Assembly
*24	515710	Hinge Cap (3)
*	960989	8-32 x 5/16 S.T. Screw
25	515833	Latch Plate
	961025	8-32 x 1/2 S.T. Screw
*26	515716	Cable Assembly (see Cable Assem. Illust.)

* Not part of this assembly.



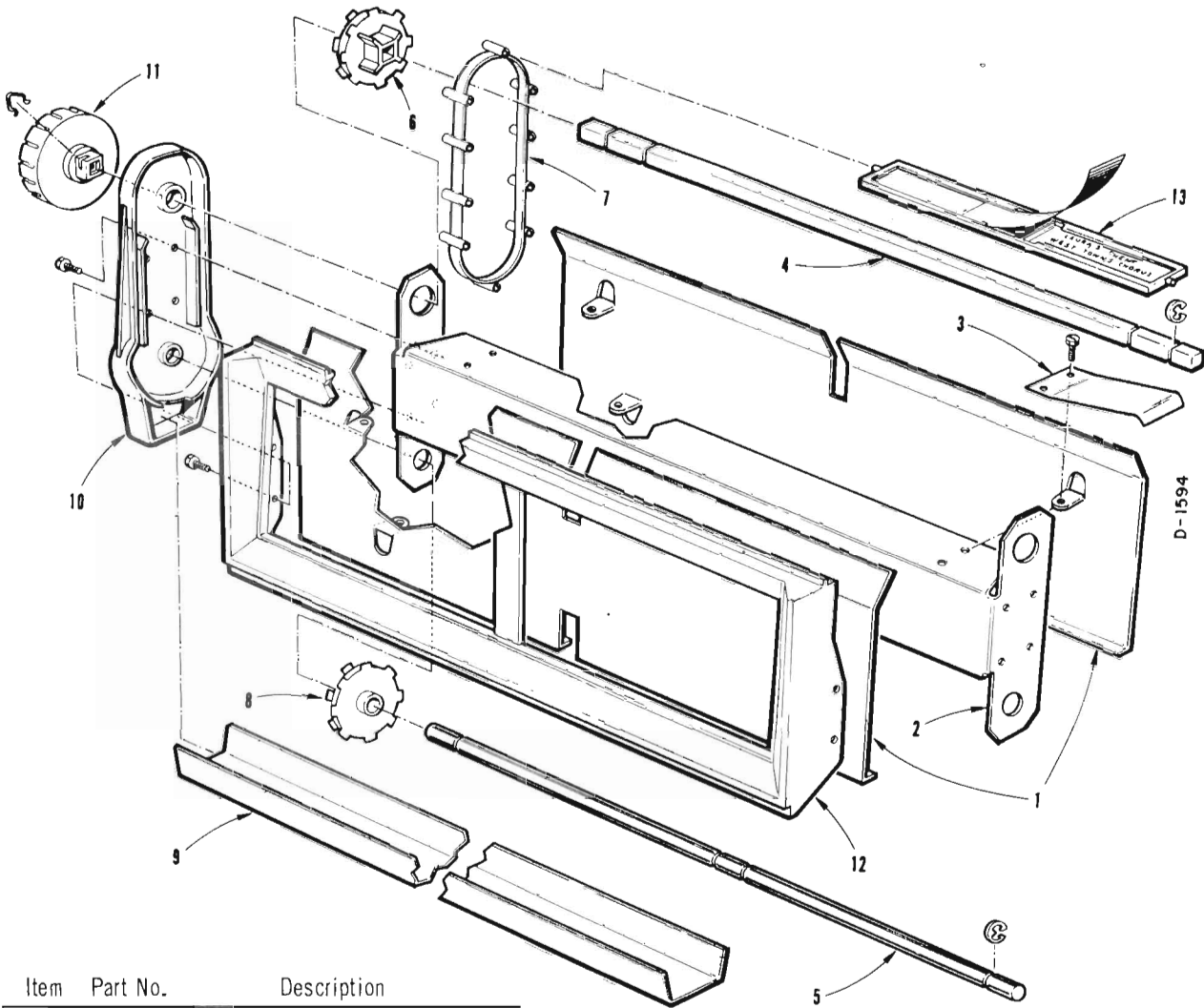
CONSOLE BACK ASSEMBLY, Part No. 515800

PARTS LIST FOR CONSOLETTA BACK ASSEMBLY, Part No. 515800

Item	Part No.	Description	Item	Part No.	Description
1	515802	Finished Back Assembly	17	515744	Coin Chute
2	515816	Bracket & Stud Assembly		515745	Coin Chute Cover
	961001	8-32 x 5/16 S.T. Screw	18	961001	8-32 x 5/16 S.T. Screw
3	515815	Latch Bolt		515875	Slug Rejector Mtg. Frame
4	515829	Shoulder Screw	19	961001	8-32 x 5/16 S.T. Screw
5	924822	Spring Washer		421281	Coin Switch Assembly
6	922648	Flatwasher		960277	No. 4 x 1/4 S.T. Screw
7	515828	Latch Bolt Cam	*20	401255	Slug Rejector Mtg. Stud
8	905201	3/4-32 Nut	*21	515687	Slug Rejector (C.A.)
9	925845	Lockwasher	*	189784	Slug Rejector (N.R.I.)
10	515756	Lock Barrel, Plug & Key Assem.	*22	507378	Ejector Lever Extension
*11	311110	Digital Console Interface Board Assembly	23	515811	Pivot Pin
*	515290	4/10 Amp. Slo Blo Fuse	24	757811	Spring
12	515819	Transmitter Mtg. Spring (4)	25	506346	Coin Return Door
	961001	8-32 x 5/16 S.T. Screw	26	515812	Return Cup Plate
13	515782	Cable Clamp		961001	8-32 x 5/16 S.T. Screw
*14	311000	Type "DTP1" Digital Transmitter & Pricing Unit	*27	515717	Cash Box Riveted Assembly
*15	310103	Pricing Board (0-2-5-14), for Type DEC125	*28	515712	Door Support Riveted Assembly
*	310101	Pricing Board (1-3-6-15), for Type DEC110	*	961001	8-32 x 5/16 S.T. Screw (2)
16	515755	Terminal Strip	*29	961025	8-32 x 1/2 S.T. Screw (2)
	515814	Terminal Strip Label			
	961025	8-32 x 1/2 S.T. Screw			

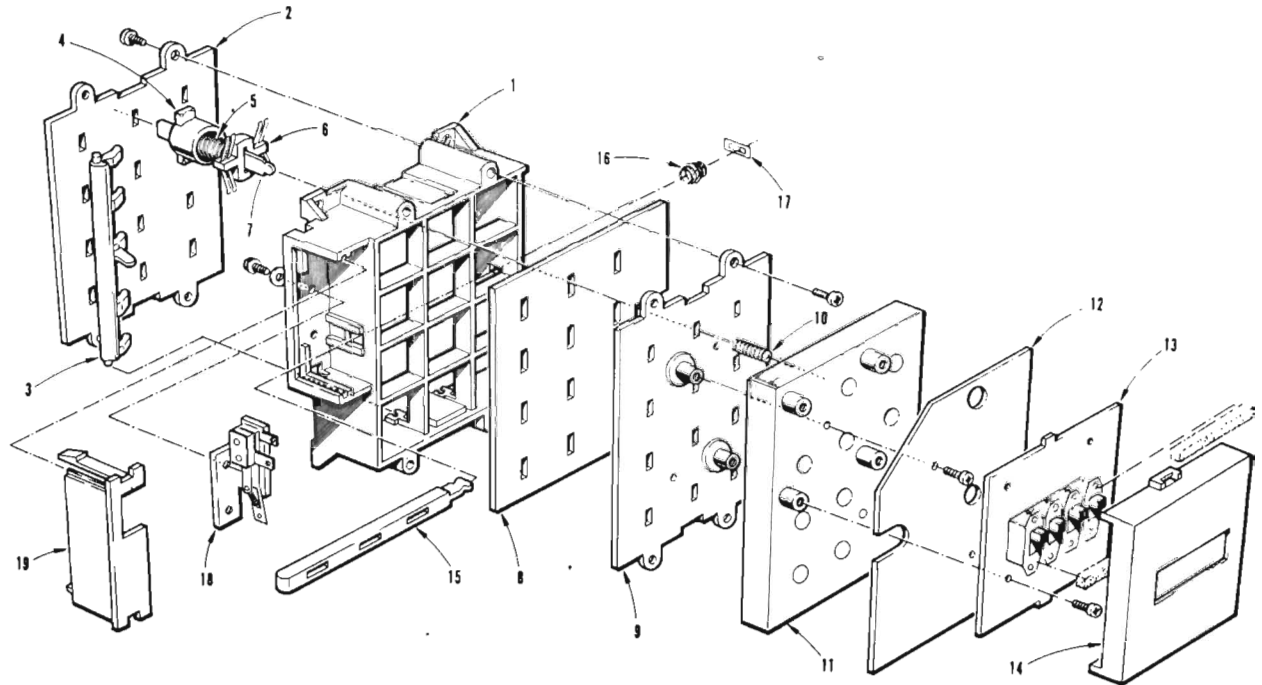
* Not Part of This Assembly.

PROGRAM ASSEMBLY, Part No. 515760



Item	Part No.	Description
1	515767	Frame Cover
	960737	6-32 x 3/8 T.F. Screw
2	515765	Frame
3	515766	Detent Spring
	960737	6-32 x 3/8 T.F. Screw
4	515771	Drive Shaft
	301367	Retaining Ring (4 used)
5	515770	Idler Shaft
	301367	Retaining Ring (4 used)
6	515774	Drive Pulley (3 used)
7	515738	Drive Belt (3 used)
8	515773	Idler Pulley (3 used)
9	515768	Program Guard
10	515766	End Guide (2 used)
	960737	6-32 x 3/8 T.F. Screw
11	515776	Knob (2 used)
	515777	Retaining Clip (2 used)
12	515743	Program Window Frame
	960737	6-32 x 3/8 T.F. Screw
13	515748	Title Strip Holder (20 used)
	515775	Title Number Strip (set of 40)

DIGITAL ELECTRONIC SELECTOR, Type DES1, Part No. 412000

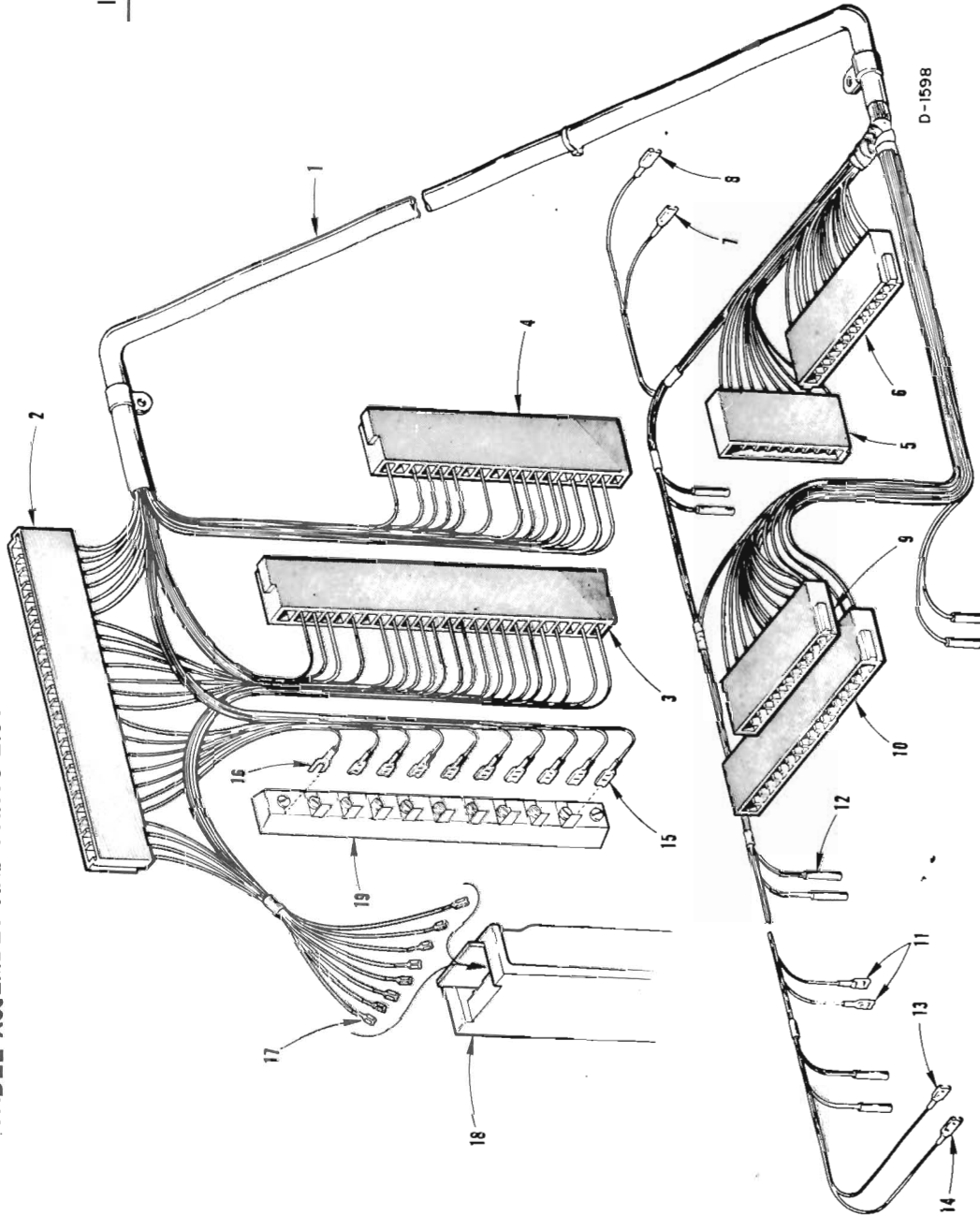


Item	Part No.	Description
1	412017	Switch Main Frame
2	412028	Guide Plate
	960629	No. 6 x 5/16 S.T. Screw
3	412027	Treadle Bar
4	412022	Treadle Actuator
	412023	Actuator Retainer
5	412021	Overload Spring
6	412019	Contact Assembly
7	412018	Stem
8	412014	Printed Contact Board
9	412012	Guide Plate Welded Assembly
	960629	No. 6 x 5/16 S.T. Screw
10	412011	Stem Spring
11	412010	Stem Spring Holder
12	412041	Back Plate
	913176	6-32 x 3/8 M. Screw
13	412031	Switch & Circuit Board Assembly
	412035	Switch
	309481	Diode
	421313	Pad
	960629	No. 6 x 5/16 S.T. Screw
14	412039	Rear Switch Cover
	412040	Switch Label
15	412024	Switch Actuator
16	412025	Actuator Spring
17	400864	Retainer
18	412042	Switch & Bracket Assembly
	912897	6-32 x 3/16 M. Screw
	920630	Flatwasher
19	412038	Trigger Switch Cover

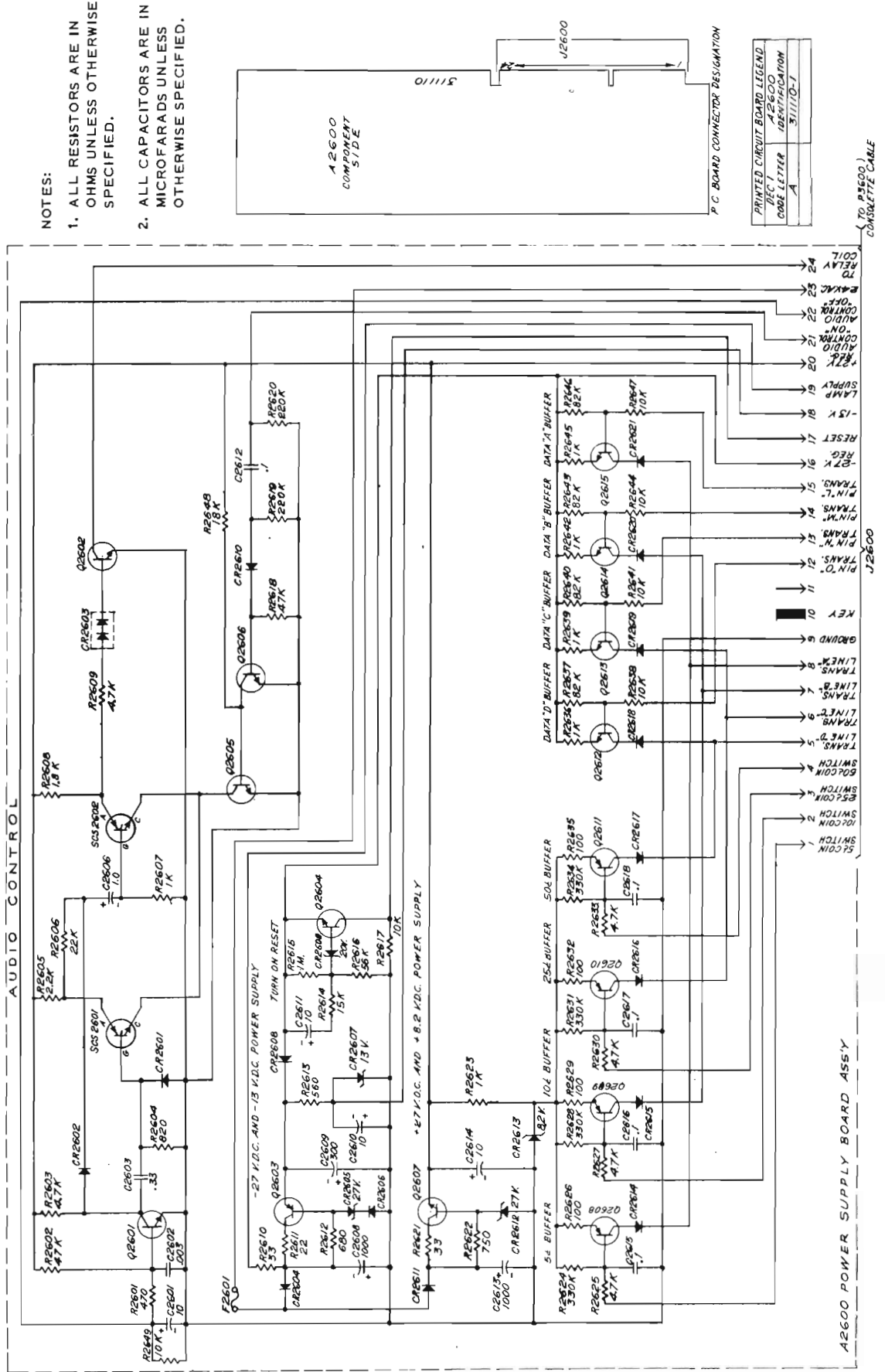
CABLE ASSEMBLY AND PARTS LIST

Item	Part No.	Description
1	515716	Cable Assembly
2	309634	24 Contact Edge Connector
	941854	Contact
	941874	Edge Connector Key
3	309634	24 Contact Edge Connector
	941854	Contact
	941874	Edge Connector Key
4	309632	18 Contact Edge Connector
	941854	Contact
5	318100	9 Contact Edge Connector
	941854	Contact
6	309631	12 Contact Edge Connector
	941854	Contact
7	941785	Receptacle
8	132053	Receptacle
9	309631	12 Contact Edge Connector
	941854	Contact
10	309632	18 Contact Edge Connector
	941854	Contact
11	132053	Receptacle
12	941855	Receptacle
13	52101	Sleeving
14	941785	Receptacle
15	132053	Receptacle
16	941785	Receptacle
17	941787	Spade Lug
18	941843	Receptacle
*18	-	Coin Switch
*19	-	Terminal Board

* Not part of this assembly.



CONSOLETTTE POWER SUPPLY SCHEMATIC



NOTES:

1. ALL RESISTORS ARE IN OHMS UNLESS OTHERWISE SPECIFIED.
2. ALL CAPACITORS ARE IN MICROFARADS UNLESS OTHERWISE SPECIFIED.

PRINTED CIRCUIT BOARD LEGEND

DEC 1	A2600
CODE LETTER	A
IDENTIFICATION	51110-1

A2600 POWER SUPPLY BOARD ASSY

(TO B5600) CONSOLETTTE CABLE

PARTS LIST FOR CONSOLETTTE POWER SUPPLY

Item	Part No.	Description	Item	Part No.	Description	Item	Part No.	Description
A2600	311110	Power Supply Board Assembly	F2601	602223	3/4 Amp. Fuse	R2620	82452	220 K
C2601	87697	10, 6 V. Lytic	J2600		P.C. Board (A2601)	R2621	81290	33, W.W., 2 W.
C2602	86278	.003, 500 V., Ceramic	Q2601	309447	NPN	R2622	82161	750, 5%
C2603	86328	.33, 50 V., Mylar	Q2602			R2623	81262	1 K, W.W., 2 W.
C2604			Q2603	309457	PNP	R2624	82454	330 K
C2605			Q2604			R2625	82432	4,700
C2606	87760	300, 35 V., Lytic	Q2605	309447	NPN	R2626	82412	100
C2607			Q2606			R2627	82432	4,700
C2608	87743	10, 35 V., Lytic	Q2607	309459	NPN	R2628	82454	330 K
C2609	86334	.1, 50 V., Mylar	Q2608			R2629	82412	100
C2610	87759	1 K, 50 V., Lytic	Q2609			R2630	82432	4,700
C2611	87743	10, 35 V., Lytic	Q2610	309460	PNP	R2631	82454	330 K
C2612	86334	.1, 50 V., Mylar	Q2611			R2632	82412	100
C2613	86334	.1, 50 V., Mylar	Q2612			R2633	82432	4,700
C2614	86334	.1, 50 V., Mylar	Q2613	309447	NPN	R2634	82454	330 K
C2615	86334	.1, 50 V., Mylar	Q2614			R2635	82412	100
CR2601	309481	Silicon Diode, 40 PIV	Q2615			R2636	82424	1 K
CR2602	309481	Silicon Diode 40 PIV	R2601	82420	470	R2637	82447	82 K
CR2603	309478	Silicon Stabistor	R2602	82444	47 K	R2638	82436	10 K
CR2604	309476	Silicon Rectifier 100 PIV, 1A	R2603	82432	4,700	R2639	82424	1 K
CR2605	309611	27 V. Zener Diode, 1 W., 5%	R2604	82423	820	R2640	82447	82 K
CR2606	309384	Silicon Diode 170 PIV	R2605	82428	2,200	R2641	82436	10 K
CR2607	309488	13 V. Zener Diode, 400 MW, 5%	R2606	82440	22 K	R2642	82424	1 K
CR2608	309384	Silicon Diode 170 PIV	R2607	82424	1 K	R2643	82447	82 K
CR2609	309487	20 V. Zener Diode, 400 MW, 10%	R2608	82427	1,800	R2644	82436	10 K
CR2610	309481	Silicon Diode, 40 PIV	R2609	82432	4,700	R2645	82424	1 K
CR2611	309476	Silicon Rectifier, 100 PIV, 1 A	R2610	81290	33, W.W., 2 W.	R2646	82447	82 K
CR2612	309611	27 V. Zener Diode, 1 W., 5%	R2611	81230	22, W.W., 2 W.	R2647	82436	10 K
CR2613	309612	8.2 V. Zener Diode, 400 MW, 10%	R2612	82422	680	R2648	82439	18 K
CR2614			R2613	81280	560, W.W., 2 W.	R2649	82436	10 K
CR2615			R2614	82438	15 K			
CR2616			R2615	82460	1 Meg.			
CR2617	309481	Silicon Diode, 40 PIV	R2616	82445	56 K			
CR2618			R2617	82436	10 K			
CR2619			R2618	82444	47 K			
CR2620			R2619	82452	220 K			
CR2621								

SCS2601 } 309510 Reverse Blocking Thyristor
 SCS2602 }

NOTES: 1. Unless otherwise specified all resistors are in ohms, 1/2 watt and 10%.
 2. Unless otherwise specified all capacitors are in microfarads.

PARTS LIST FOR CONSOLETTA FRONT DOOR ASSEMBLY AND BACK ASSEMBLY

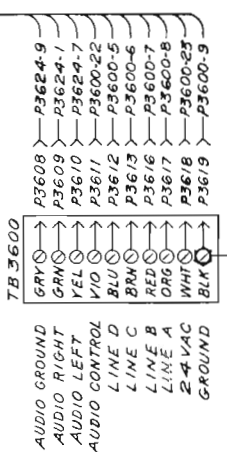
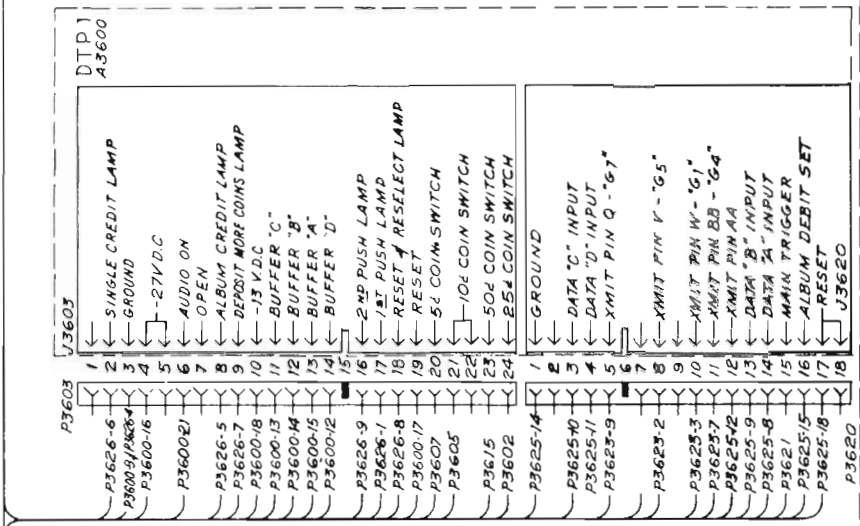
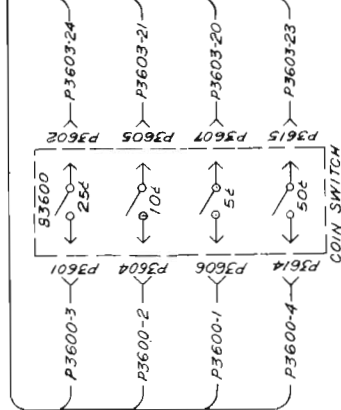
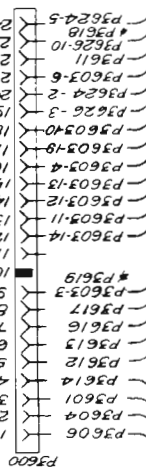
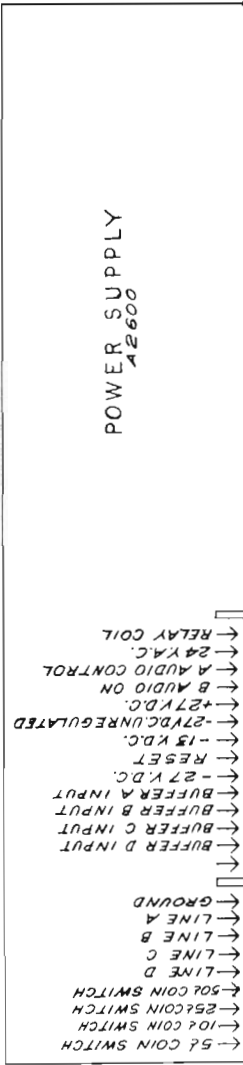
Item	Part No.	Description
A2600	311110	Power Supply
A3600	311000	"DTP1" Digital Transmitter & Pricing
A3601	412000	"DES1" Digital Electronic Switch
A3602	515835	Volume Control Assembly
A3603	515852	Light Board Assembly
CR3600	309384	Silicon Diode
I3600	507522	No. 19 Lamp
I3601	507522	No. 19 Lamp
I3602	507522	No. 19 Lamp
I3603	318029	No. 1819 Lamp
I3604	318029	No. 1819 Lamp
I3605	318029	No. 1819 Lamp
I3606	318029	No. 1819 Lamp
I3607	318029	No. 1819 Lamp
I3608	318029	No. 1819 Lamp
I3609	507522	No. 19 Lamp
K3600	515842	D.C. Relay
LS3600	515865	Speaker
LS3601	515865	Speaker
R3600	81255	15 W.W. 2 W.
R3601	81234	220 W.W. 2 W.
R3602	82406	33
R3603	82406	33
R3604	81255	15 W.W. 2 W.
R3605	81234	220 W.W. 2 W.
R3606	82412	100
	to	
R3611	82412	100
R3612	81235	56 W.W. 2 W.
R3613	81235	56 W.W. 2 W.
S3600	421281	Coin Switch Assembly
S3601	515840	Switch Assembly
S3602	515840	Switch Assembly
TB3600	515755	Terminal Strip
W3600	515716	Cable Assembly

NOTE 1: Unless otherwise specified all resistors are in ohms, ½ watt and 10%

NOTE 2: Unless otherwise specified all capacitors are in microfarads.

CONSOLETTA BACK ASSEMBLY SCHEMATIC

Part 1 of 2



- NOTES:
1. UNLESS OTHERWISE SPECIFIED ALL RESISTORS ARE IN OHMS.
 2. ALL VOLTAGES ARE TO BE MEASURED WITH THE SYSTEM IN COMPLETE ASSEMBLY AND IN A STANDBY OR QUIESCENT STATE.
 3. ALL VOLTAGES MEASURED WITH A 20,000 OHMS PER VOLT VOLT-METER.

CONSOLETTTE FRONT DOOR ASSEMBLY SCHEMATIC

Part 2 of 2

