



Turn your wallbox into jukebox

DEC2MP3 v1.5 - Turn your Seeburg DEC into Jukebox

www.wallbox2mp3.com

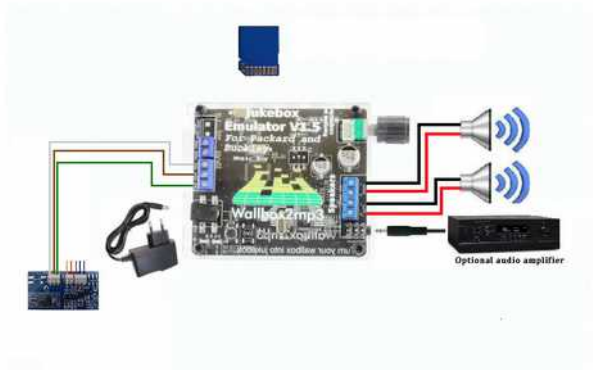


Table of contents

I - Short word from the creators.....	2
II – Wallbox compatibility list.....	2
III - Main features common to all wallbox2mp3 systems.....	4
IV Upgrades.....	4
V - Contents of your DEC2mp3 kit.....	5
VI - Wiring.....	6
VII - Configure and create your playlist.....	9
1 By the supplied software.....	10
2 Manual Setup.....	11
Step 1: Build the configuration file.....	11
Step 2 : build your playlist.....	14
VIII - Problems and Solutions.....	15

I - Short word from the creators

Dear friends ,

We were wanting to thank you for your trust and to ensure that the wallbox2mp3 is the result of a year of work for which we spent our days (and nights), trying to anticipate your needs.

If you have any suggestion or question about the wallbox2mp3, please let us know on the website:

www.wallbox2mp3/en or by mail: contact@wallbox2mp3.com.

The wallbox2mp3 gives your consolettes (wallbox) a new life outside its attached jukebox.

Its operation is extremely simple and by following our advice, you can relive the songs from your childhood on a mythical machine .

Hope you'll have as much fun as us to use it.

II – Wallbox compatibility list

the wallbox2mp3 system is compatible with the following wallbox :

AMI :

W-40

W-80

w-120

Wq-200

Rock-ola :

500

1555

1558



SEEBURG:

3W1

3W100

3W160

3W200

3WA

SC1



SCH-1
DEC



Wurlitzer :

5207 (wallbox2mp3 V1.2 and higher)

5210

5220

5250

Fernwhal Box 160

Three kinds of Wallbox are special and require a specific card for their operation:

-The DEC2MP3 for consolette seeburg DEC :



-The packard 2MP3 for Packard plamor :



-The Melotone2MP3 for melody-lane / solotone :



If you have a wallbox that is not mentioned, we can add it for free, contact us directly or leave a message on the website. We are constantly looking for new wallbox in order to decode their signals and to add them to the compatibility list.

The wallbox2mp3 system emulates the jukebox attached with your wallbox and plays chosen title. So your wallbox becomes a true independent and functional jukebox.

III - Main features common to all wallbox2mp3 systems

- Jukebox Emulator complete and autonomous, with its own audio mp3 decoder chip to operate
- Built in Audio Amplifier, it can be directly connected to speakers without requiring an external amplifier.
- Built in not amplified jack connector, allowing to be connected to an amplified speakers, a stereo system or a Bluetooth transmitter ...
- Programmable random music, if you do not make a selection during a given time, the wallbox can play random music.
- Creating your music selection is simplified thanks to the free wallbox2mp3 application that supports Windows, Mac and Linux.
- Easy Configuration owing to the free software provided
- The wiring can be done without modifying your consolette you can augment it with a remote music reject button .
- The wallbox2mp3 can be placed near (or in some cases inside) your wallbox and be wall mounted through the slots provided for this purpose; so then you'll have access to the volume control.

IV Upgrades

The new V1.5 wallbox2mp3 released manages the sound a completely new way ; The sound is now digitally managed until it arrives to its amp / jack output ,so it's fully protected against Electromagnetic Interference ,it's also protected by much more audio filters. The sound doesn't go any more throughout the remote pot ribbon but has been replaced by a simple current , so you can use a very long remote pot cable (up to 150 inches,more than 400 inches using an higher wire gauge) without any consequence on sound quality.

Moreover the sound amplifier is much more powerfull and can act as a class D (better efficiency) or a class AB (to sum up better sound quality) audio amplifier

V - Contents of your DEC2mp3 kit

- A DEC2MP3 motherboard
- A DEC2MP3 Translator
- A 220V / 110V power adapter – 5V (with US,Euro or UK plug at your wish)
- The user manual (to download)
- The software Wallbox2mp3 (to download)

The wallbox2mp3 software is not required to run your wallbox but greatly simplifies the creation of your playlist and system configuration.It also can automatically builds customized titlestrips for you.

Warning: Your wallbox was powered by its jukebox , so you will need an external power supply. We can't provide it as the package would be to heavy but it's easy to find. You just need to use a 220V transformer (for Europe, Africa,Asia and much other countries) or 110V (mainly for the countries of North and South America as well as Japan) to 24VAC minimum of 2 amperes (at least 50VA) not supplied in the kit.

Here are some links to obtain the necessary equipment :

<http://fr.farnell.com/multicomp/vtx-146-030-112/transformer-30va-2x-12v/dp/1675051>

<http://www.grainger.com/product/DAYTON-Class-2-Transformer-4VZE7>

or Radiospares ref : 2237894

VI - Wiring



CAUTION: The wiring is very simple, it requires a basic knowledge of electricity. Also, security rules apply, do not work with the system powered, never leave apparent and insulate all connections. Risks of electric shock, it could damage your console, or even kill you. We cannot be held responsible for the consequences of your work and recommend the utmost vigilance. If your skills in this area are insufficient, prefer to hire a professional for this part. You will find on our website a list of approved installers that can perform wiring for you

You are not in this list and would like to be there? Contact us.

Also see our installation videos on our site which will guide you step by step:

<http://www.wallbox2mp3.com/en>

What you need :

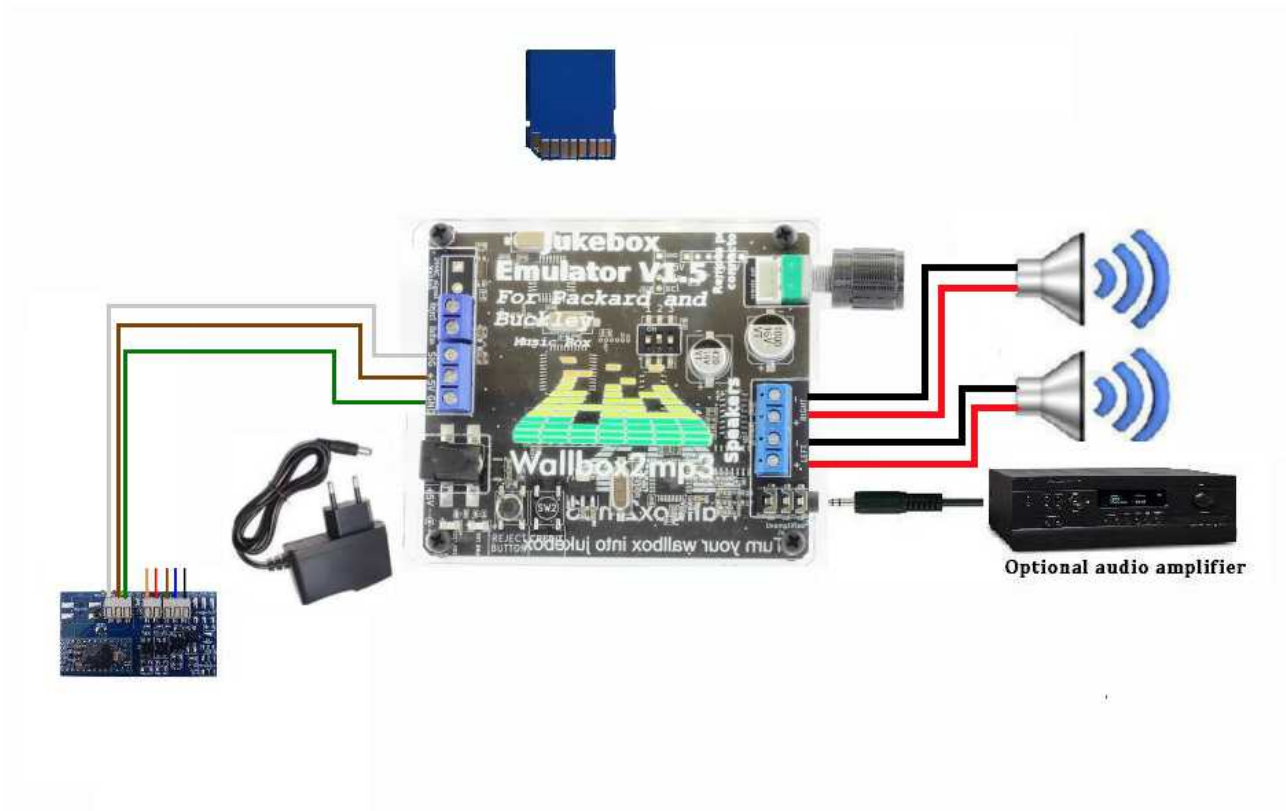
- The DEC2mp3 kit

What you need but we do not provide :

- A transformer 110 or 220V depending on your region of the world (220 for Europe) to 24 V (not supplied)
- A power cord with plug for your location.
- A fuse holder and a fuse
- Electrical wire (not supplied)
- A small set of tools (screwdriver, wire stripper, wire cutter not included)

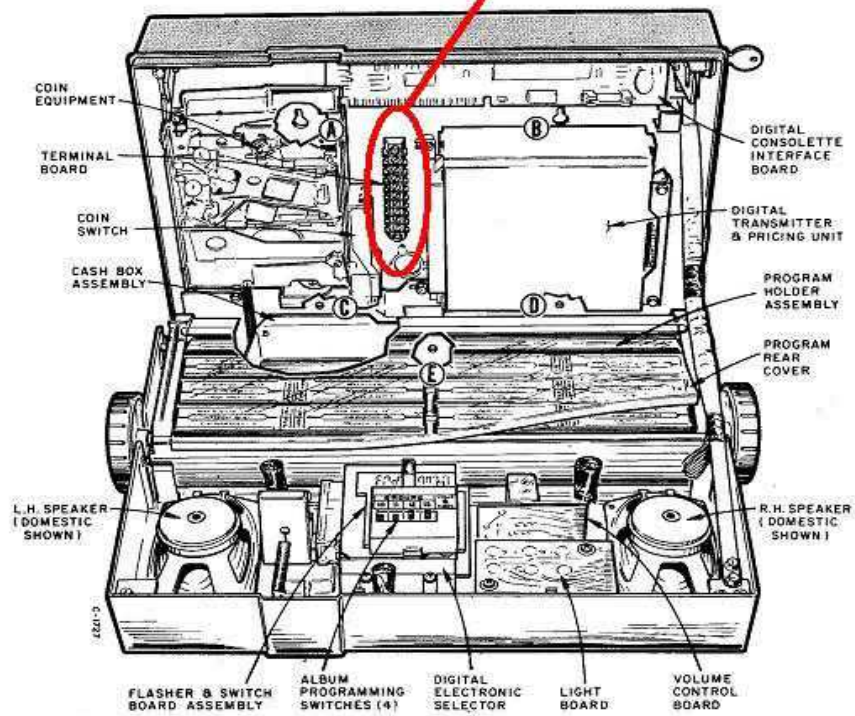
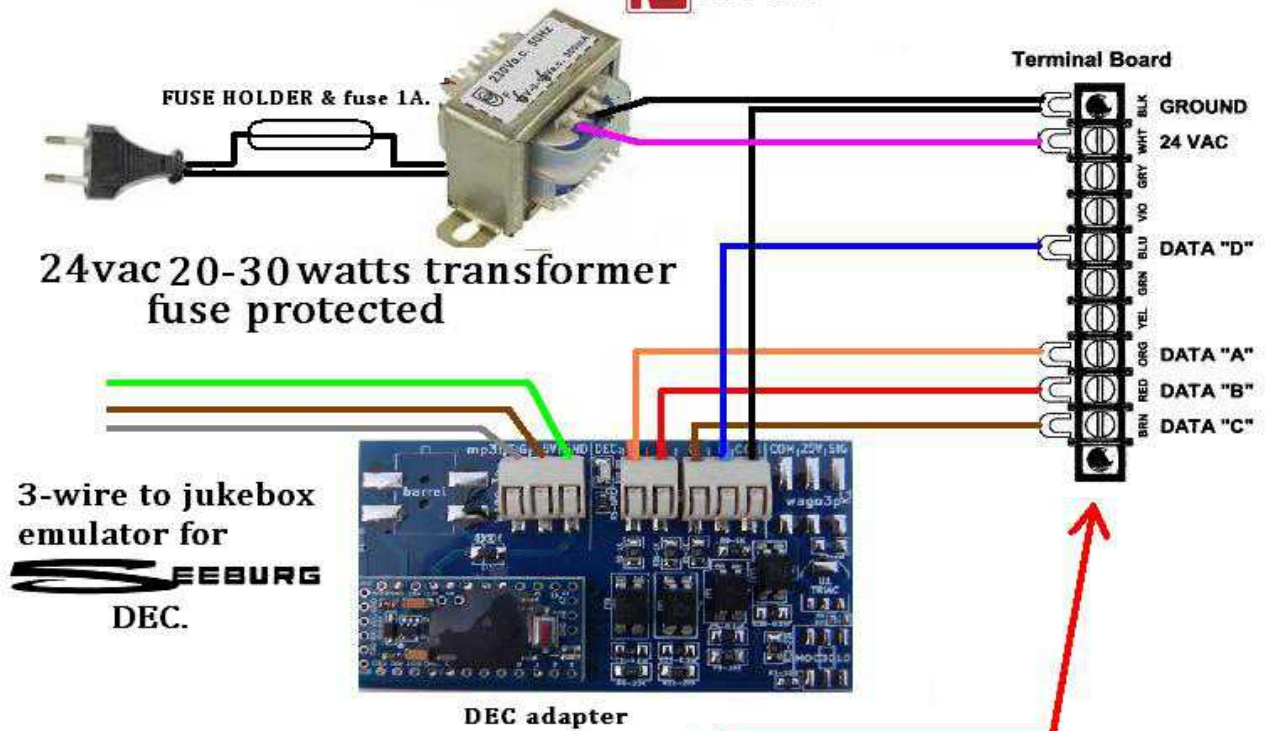
Wiring depending on your wallbox :

Here is the simple overall wiring diagram to achieve :



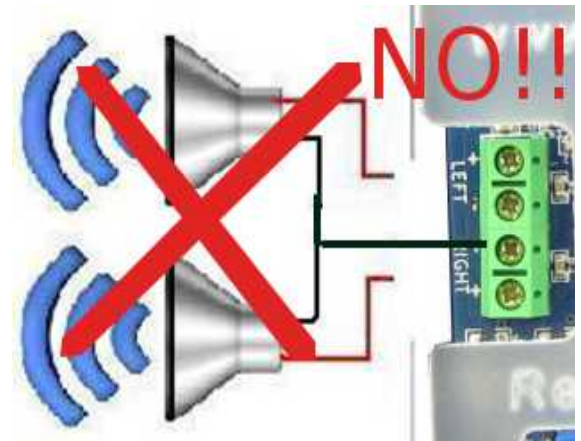
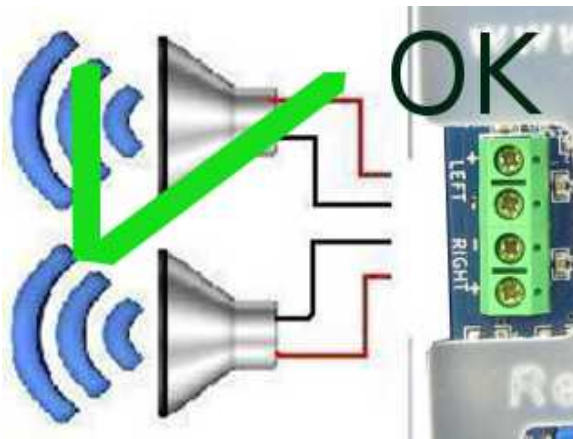
Wallbox were generally powered with 24V AC from the jukebox, and as you're now going to be able to use yours without any attached jukebox, you're going to need to power it. Here is how to connect the DEC translator and the 24VAC transformer :

RS 504-662





Please note that the built in stereo audio amplifier of the wallbox2mp3 is a Class D. This means that it has floating outputs. You must never connect the two minus (-) together, each one must be wired to its own terminal. Or you could just destroy the built in audio amplifier. The warranty doesn't cover such an injury. Please just connect your speakers that way :



VII - Configure and create your playlist

Last step : create your playlist and optionally your configuration file :

Configuring your wallbox and creating your playlist is a necessary operation simplified by the supplied wallbox2mp3 software . The latest version is available on our website: <http://www.wallbox2mp3.com/en/software/>

Indeed , the wallbox2mp3 needs minimum informations and contents to operate.

It your wallbox2mp3 needs :

- A content (a playlist of MP3 files) : a series of mp3 files contained on the SD card
- Optionally, it needs to know if it has to play a random selection when no choice is made and if so after how long it has to play.

At startup, the wallbox2mp3 search a configuration file .cnf in the root of the SD card. When it finds it, it reads the name to derive the necessary informations for proper operation.

The configuration file remain optional while using a DEC2mp3. By default,there is not any random sound

1 By the supplied software

Setting up your wallbox and defining your playlist is quite simple with the wallbox2mp3 software

Step 1 : download the software

Just download it here : <http://www.wallbox2mp3.com/en/software/>

Etape 2 : installation

In order to install our application you must have java installed on your computer, java is installed by default on almost all computers but if this is not yet the case for you, you can download it at: [http:// www. java.com](http://www.java.com)

The Wallbox2mp3 software itself requires no installation, simply click on the .jar file (Java executable) to launch. Thus it is portable and can also be launched from removable media such as a USB key.

As our software is programmed in Java, it is universal and works independently on Windows (XP 10.1), MacOS or Linux

Simply launch the executable file and the program starts.

For more information on the operation and use of the software, please visit: <http://www.wallbox2mp3.com/en/software/>

It will configure the SD card automatically for you. Beyond that, it will also allow you to generate your customized titlestrips to print. By using the idtags contained in your MP3 (if any), it may also pre-populate your fields "title" and "Artist" . So you'll be able to save many hours of tedious work.

2 Manual Setup

Manual configuration is more tedious than automatic one but remains simple.

You will optionally need to create a configuration file .cnf containing the information needed by the wallbox2mp3 and then create your playlist.

Step 1: Build the configuration file

Building the configuration file is the most complex and the fastest part to achieve.

It's also optional

First, open your favorite text editor.

Under Windows, Notepad comes free with all versions, it will be an ideal candidate, notepad ++ available for free on the web may also very well do the trick.

Under Linux, vi, nano, or quanta Pico text mode, Nedit etc .. suit perfectly.

Under MacOS we advise TextEdit included with the OS.

The contents of the file will not be read, so you can open a blank page and save it. Indeed, the name you give to your file is the only information used for system configuration. So you can just open a blank page and save it.

All the work will therefore be to determine the name of your .cnf depending on your wallbox's model and the optional use of random music when no choice is made after a while.

Concerning the DEC2mp3, if you're not interested by technical details, you can just build your configuration file that way and go to the step 2 :

So, your configuration file will be named :

C0s07.cnf if you don't want any random music

C1s07.cnf if you want random music after 30 seconds without selection

C2s07.cnf if you want random music after 5 minutes without selection

C3s07.cnf random music after 15 minutes without selection

Configuration in details :

By combining informations, we can generate the name of our file in .cnf

your cnf file will therefore be as follows:

- It always begins with the letter "c"

- Then by a number corresponding to the random music's choice when no selection is made for a certain time :

-> "0" if you do not want random music

-> "1" random music after 30 seconds without selection

-> "2" random music after 5 minutes without selection

-> "3" random music after 15 minutes without selection

- Finally a letter followed by a number with two digits corresponding to:

-> The letter is for the wallbox's brand

-> The number is for the wallbox's model

Here is the partial list of compatible wallbox and their identification code:

AMI	
AMI W-40 (for E 40 - 40 Selections)	a01
AMI W-80 (for D80,E80,F80,G80 - 80 Selections)	a02
AMI W-120 (for E120,F120,G120 -120 Selections)	a03
AMI WQ-120 (120 Selections)	a04
AMI WQ-200 (200 Selections)	a05
PLA MOR	
Packard (24 sélections) **	p01
ROCK-OLA	
Rock-Ola 500 (160 Selections)	o01
Rock-Ola 501 (100 Selections)	o02
Rock-Ola 506 tri-vue (160 selections)	o06

Rock-Ola 1544 (120 Selections)	o07
Rock-Ola 1555 (120 Selections)	o03
Rock-Ola 1555 (200 Selections)	o04
Rock-Ola 1558 (160 Selections)	o05
ROWE AMI	
Rowe AMI WRA-200 (200 Selections)	r01
Rowe AMI WRB-200 (200 Selections)	r02
Rowe WRC-200 (200 Selections)	r03
SEEBURG	
Seeburg 3W1 or 3w100 (100 Selections)	s01
Seeburg 3W160 (160 Selections)	s02
Seeburg 3WA (200 Selections)	s03
Seeburg SC1 (ESC1 et USC1 - 160 Selections)	s04
seeburg SCH1-4 (160 Selections)	s05
Seeburg DEC (160 Selections) *	s07
WURLITZER	
Wurlitzer 5207 (104 Selections)	w02
Wurlitzer 5210 (200 Selections)	w03
Wurlitzer 5220 (200 Selections)	w04
Wurlitzer 5225 (100 Selections)	w05
Wurlitzer 5250 (200 Selections)	w06
Wurlitzer Fernwhal Box 160 (160 Selections)	w07
OTHERS	
Melodylane ***	Not used
Solotone ***	Not used

* = needs a DEC2mp3 ,won't operate with a wallbox2mp3
** = needs a packard2mp3 ,won't operate with a wallbox2mp3
*** = needs a melotone ,won't operate with a wallbox2mp3

Your file will then be called :

"C" + number (correspond to random music choice) + letter (wallbox's brand) + number(wallbox's model) + .cnf

ATTENTION, only a .cnf file located in the root of your memory card will be read, only one .cnf file must be at the root of the memory card and the file must well be at the root.

For example if your SD card from your computer is located in d: \, you should save your file in the following way:

d: \ monfichierconf.cnf

and no :

d: \ somefolder \ monfichierconf.cnf

Step 2 : build your playlist

To guarantee perfect indexing of your selection, we formatted the name of mp3 files read by wallbox2mp3.

Building your playlist will therefore be in two parts:

1- rename your mp3 files

2-Copy / paste the renamed mp3 files from your computer to the root of the memory card

To rename your MP3 files:

an mp3 file that can be read by the wallbox2mp3 must be formatted this way:
sel + index number componed by 3 digits + .mp3

The first music will therefore be called sel001.mp3, sel002.mp3 the second, the third sel003.mp3, etc

Copy / paste your files to the root of your your memory card :

Do not forget to stick your active playlist to the root of your memory card. However, you can create multiple playlist and put inactive playlist in the memory card folders. You can then easily switch a playlist to another by copying / pasting your new playlist of its folder to the root.

VIII - Problems and Solutions

**if you have any trouble concerning your wallbox, we remind you that you can ask your questions on our website: www.wallbox2mp3.com/en
A technician consults it every days to answer to your questions.**

-> My DEC2mp3 is connected and wired correctly but nothing works and the blue LED does not light up.

You have a power problem. First, make sure the AC adapter is plugged in. A LED is on the AC adapter supplied with the wallbox2mp3, check that it is turned on. If it's not, check the plug to which it is connected.

ATTENTION IMPORTANT: Only use the AC adapter supplied with your wallbox2mp3 or a 5V DC power adapter minimum 1 amp with a barrel connector Jack 5.5X2.1mm with the + on the internal connector and the - on the outline, otherwise you could generate irreversible damage not covered by the warranty of your wallbox2mp3.

The AC adapter is covered by our warranty, and propose alternative adapters suitable for your wallbox2mp3 low price if you were no longer covered by warranty.

-> My DEC2mp3 is connected and wired correctly, it lights but plays a different title than the one selected and / or does not always play if at all when I make a selection

First, check that wires are well connected , then check all the contacts. If you are familiar with electronic, it would be a good idea to test connections with a multimeter or even better with a logic analyzer

-> My DEC2mp3 refuses to play anything and the red LED (error) flashes:

Our system has a self diagnosis to determine the source of a possible problem and remedy easily.

Here is how to interpret this signal:

- 2 flashes loop:

The DEC2mp3 fails to initialize the SD card; Make sure you insert a Secure Digital card in the slot provided for this purpose; If so, then remove and reinsert it. The packard2mp3 is compatible with most SD cards, regardless of memory size, brand,

etc ... It can happen in very rare cases that an sd card may be incompatible with our system; it would be a card that does not accept connections Serial Protocol Interface (SPI). If the problem persists, try to transfer the data to another SD card.

- 3 flashes:

The packard2mp3 not find any mp3 file to the root of the sd card. The SD Card is well initialized but nothing can be done.

We remind you that the wallbox2mp3 can only play MP3 files, you can find links on our website to free converter mp3 files if you do not have such as .wav, .wma, etc. ...

We also remind you that the system lists mp3 files only to the root of the SD card. If they are in a folder, move them to the root, so they will be detected.

For example, if the location on your computer to your SD card is D: then the .cnf and .mp3 files should be in:

d: \ sel001.mp3

and not in:

d: \ somefolder \ sel001.mp3

see Chapter VI to well setup your wallbox2mp3

- 4 flashes loop:

Mp3 decoder chip communicates poorly or not at all with the system, turn off and on the wallbox2mp3. If the problem persists, contact our technical service.



The insertion and removal of the SD card should not be done when the wallbox2mp3 is switched on.

The SD card will not be recognized by the wallbox2mp3 if it is still powered when you plug-in the card.

Identifying terminals in your wallbox, and installation tips

Please note that our system only replaces the jukebox that was previously connected to your wallbox.

Therefore, you should always insert a coin in your wallbox to make it work.

If you want to disable the coin function, and operate your wallbox in "free play", please refer to our tutorials.

If you decide to use a shielded cable, the shield MUST be wired to the ground or you'll have some electromagnetic noises

The cable section will ideally be between 0.50 mm and 1mm (AWG 20 to 17).

Preferably use the flexible cable such as: HO5VV-F 3G 0.75

Rate the distance between your wallbox and wallbox2mp3 and use the appropriate length of cable. Do not make loops with cable, and use strictly necessary length.

A coiled cable surplus may cause malfunction and noise.

Copyright © 2019 Wallbox2mp3 all rights reserved - Wallbox2mp3 is not affiliated in any way with or supported by Wurlitzer, Seeburg, Rowe, Ami, apple and ipod are registered trademarks.