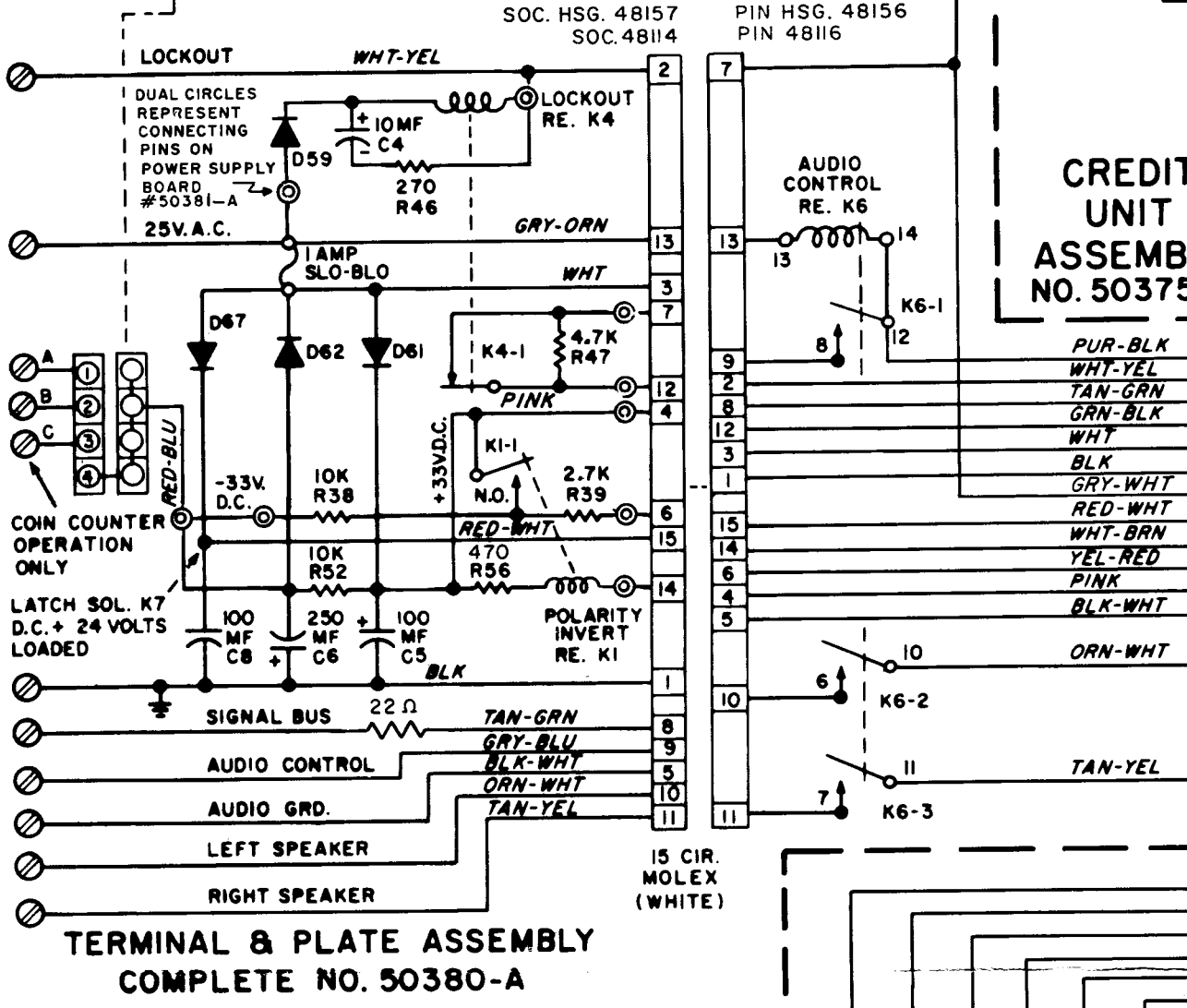
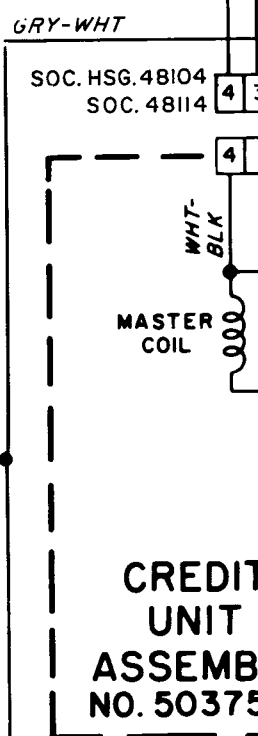
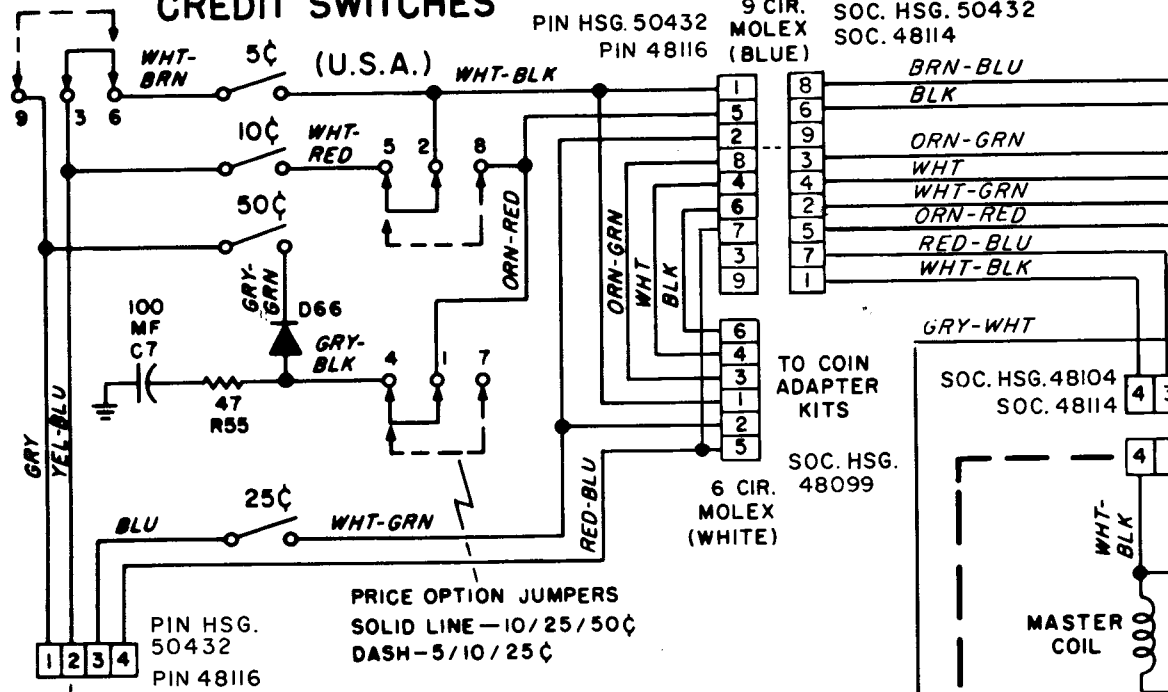


SEE OTHER SIDE FOR FOREIGN WIRING REVISIONS

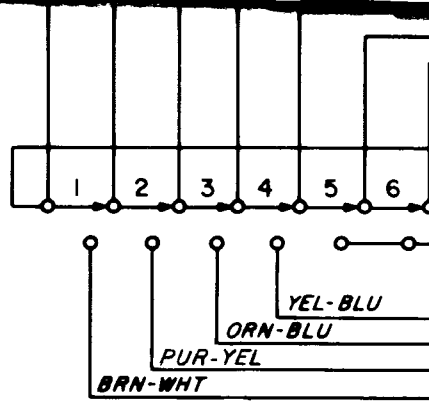
### CREDIT SWITCHES



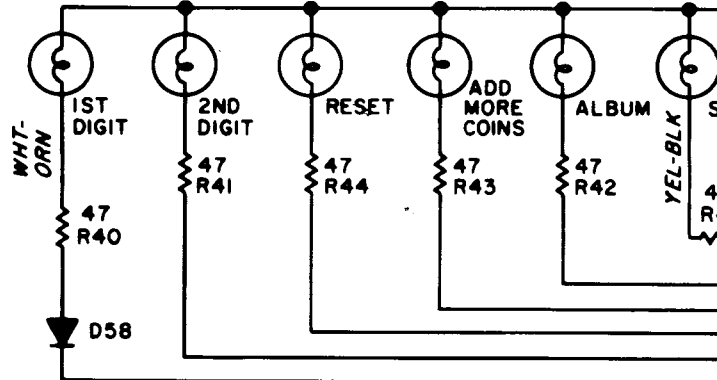
PUSHBUTTON SW.  
ASSEMBLY COMPLETE  
NO. 50395-A

BOTTOM  
LEVEL

# WALL BOX FRONT

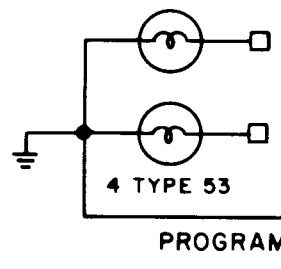
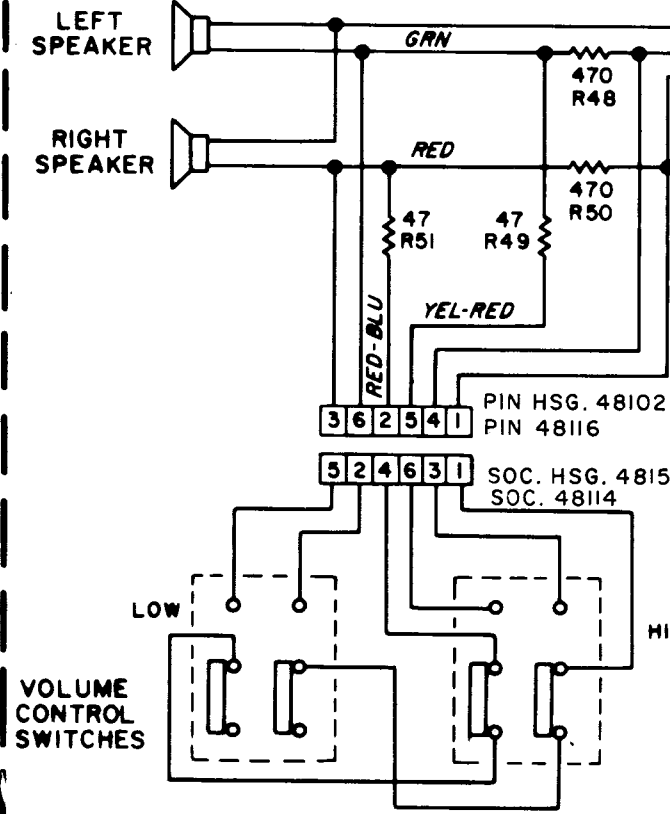


## SIGNAL LITES

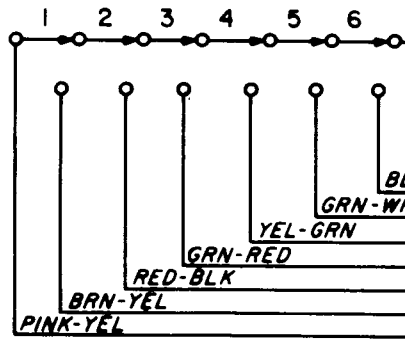


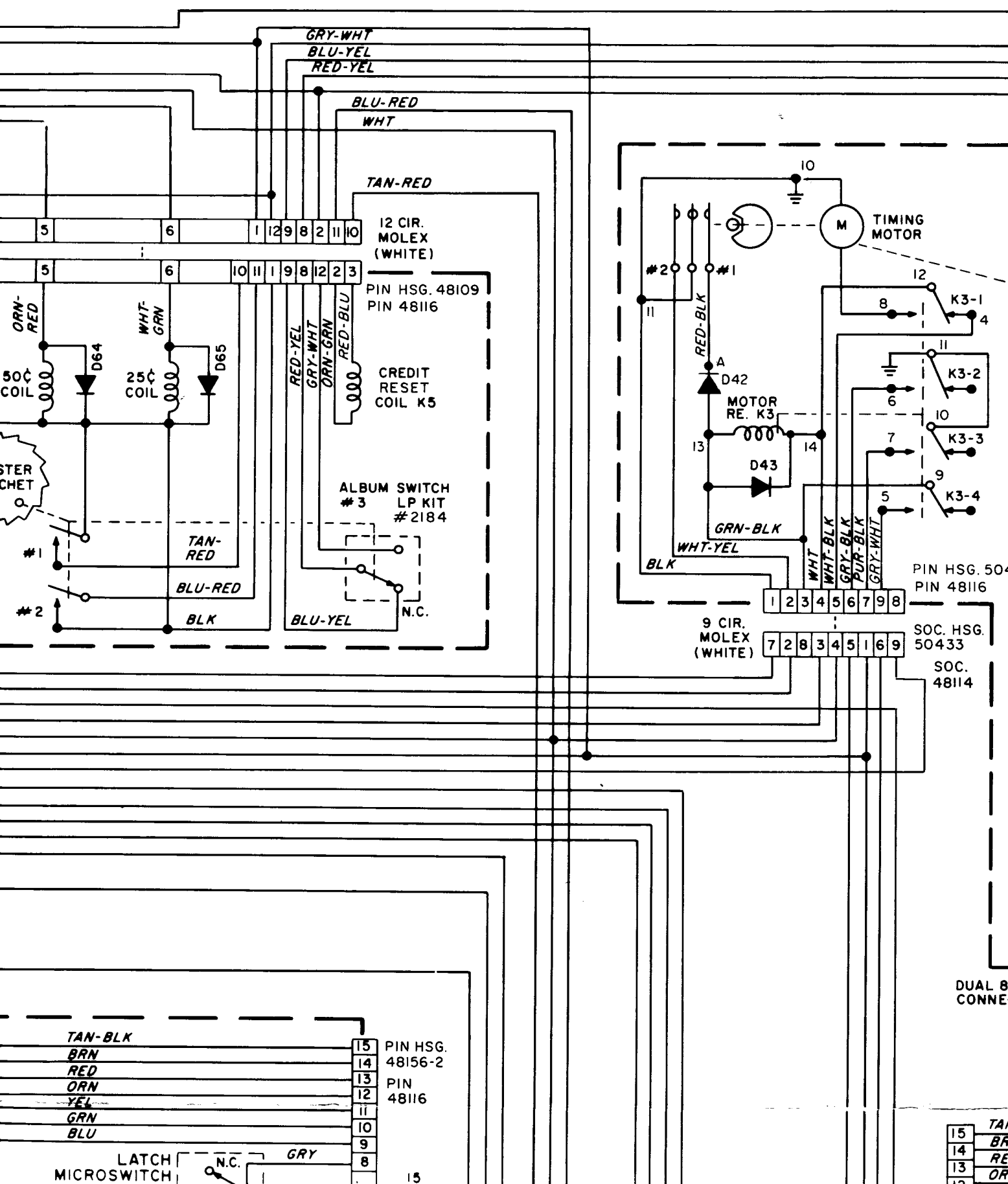
LEFT  
SPEAKER

RIGHT  
SPEAKER



## TOP LEVEL PUSHBU





GRY-WHT  
 BLU-YEL  
 RED-YEL

BLU-RED  
 WHT

TAN-RED

PIN HSG. 48109  
 PIN 48116

CREDIT  
 RESET  
 COIL K5

ALBUM SWITCH  
 #3  
 LP KIT  
 #2184

9 CIR.  
 MOLEX  
 (WHITE)

PIN HSG. 50433  
 SOC. 48114

DUAL 8  
 CONNE

TAN-BLK  
 BRN  
 RED  
 ORN  
 YEL  
 GRN  
 BLU

15  
 14  
 13  
 12  
 11  
 10  
 9  
 8

PIN HSG. 48156-2  
 PIN 48116

LATCH MICROSWITCH

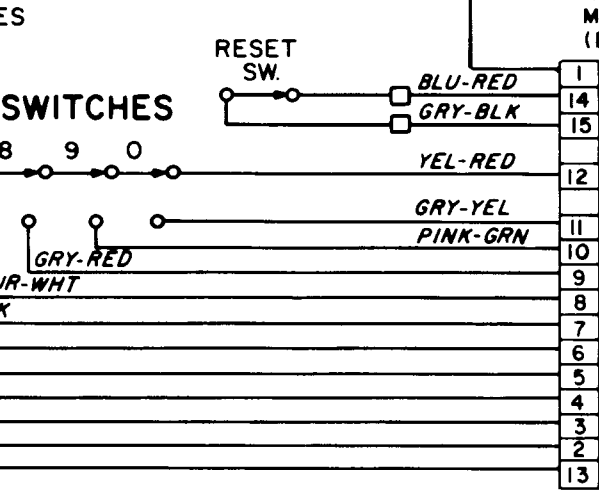
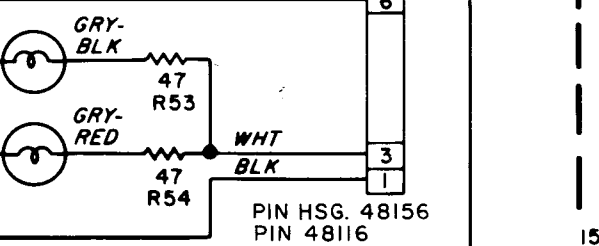
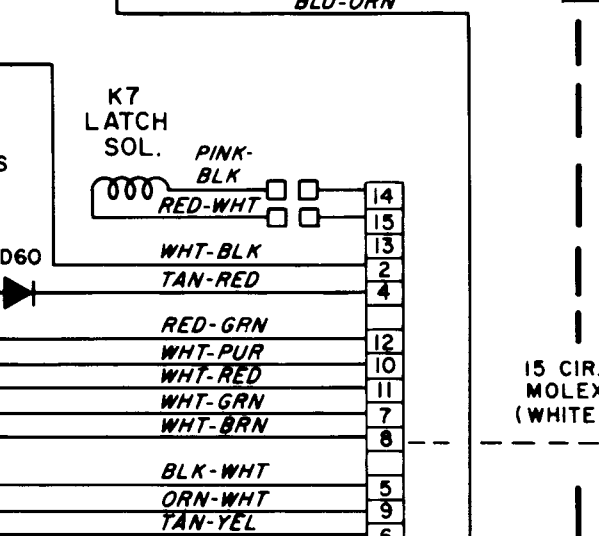
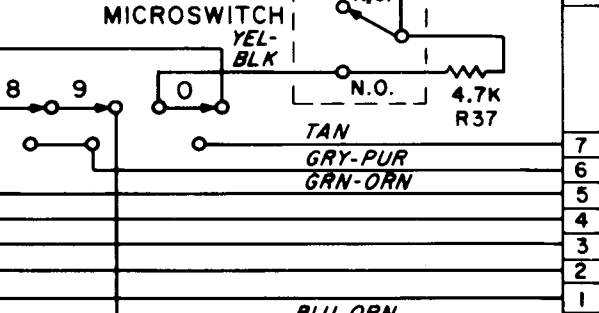
N.C.

GRY

15

15  
 14  
 13  
 12

TAN  
 BR  
 RE  
 OR



PIN HSG. 48156-6  
PIN 48116

15 CIR. MOLEX (RED)

15 CIR. MOLEX (WHITE)

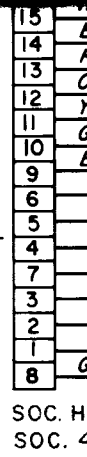
15 CIR. MOLEX (BLUE)

SOC. HSG. 48157  
SOC. 48114

SOC. HSG. 48157-6  
SOC. 48114

MAIN CABLE ASSEMBLY COMPLETE NO. 50446-A

# ROCK-OLA WALL WIRING D

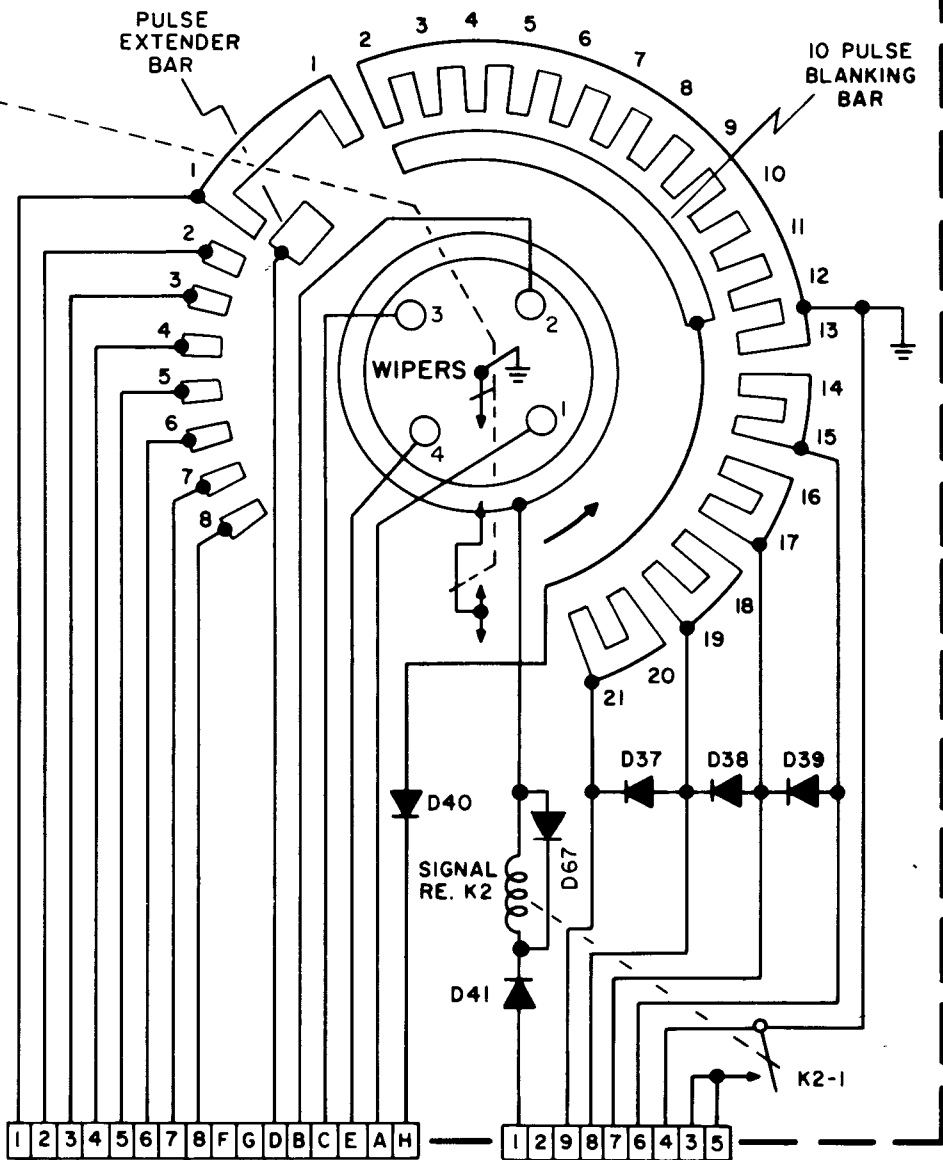


SOC. HSG. 48157  
SOC. 48114

BRN-BLU

GRY-WHT  
 BLU-YEL  
 RED-YEL  
 ORN-GRN

**MOTOR BOARD & WIPER ASSEMBLY  
 COMPLETE NO. 50690-A**

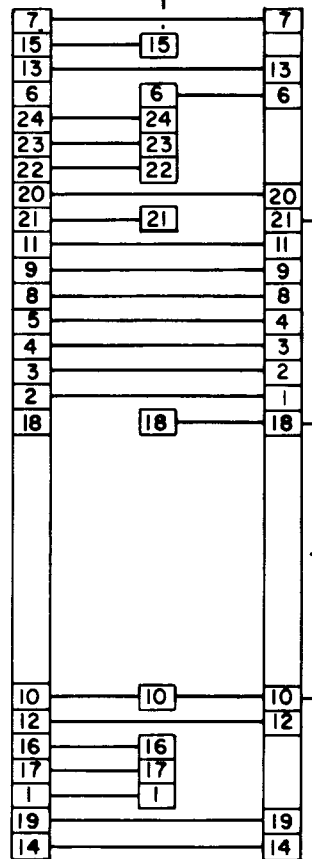


1 2 3 4 5 6 7 8 F G D B C E A H

2 3 4 5 6 7 8 I F H D E A B C G

LEAF HSG.  
 50442  
 LEAF CONTACT  
 46382

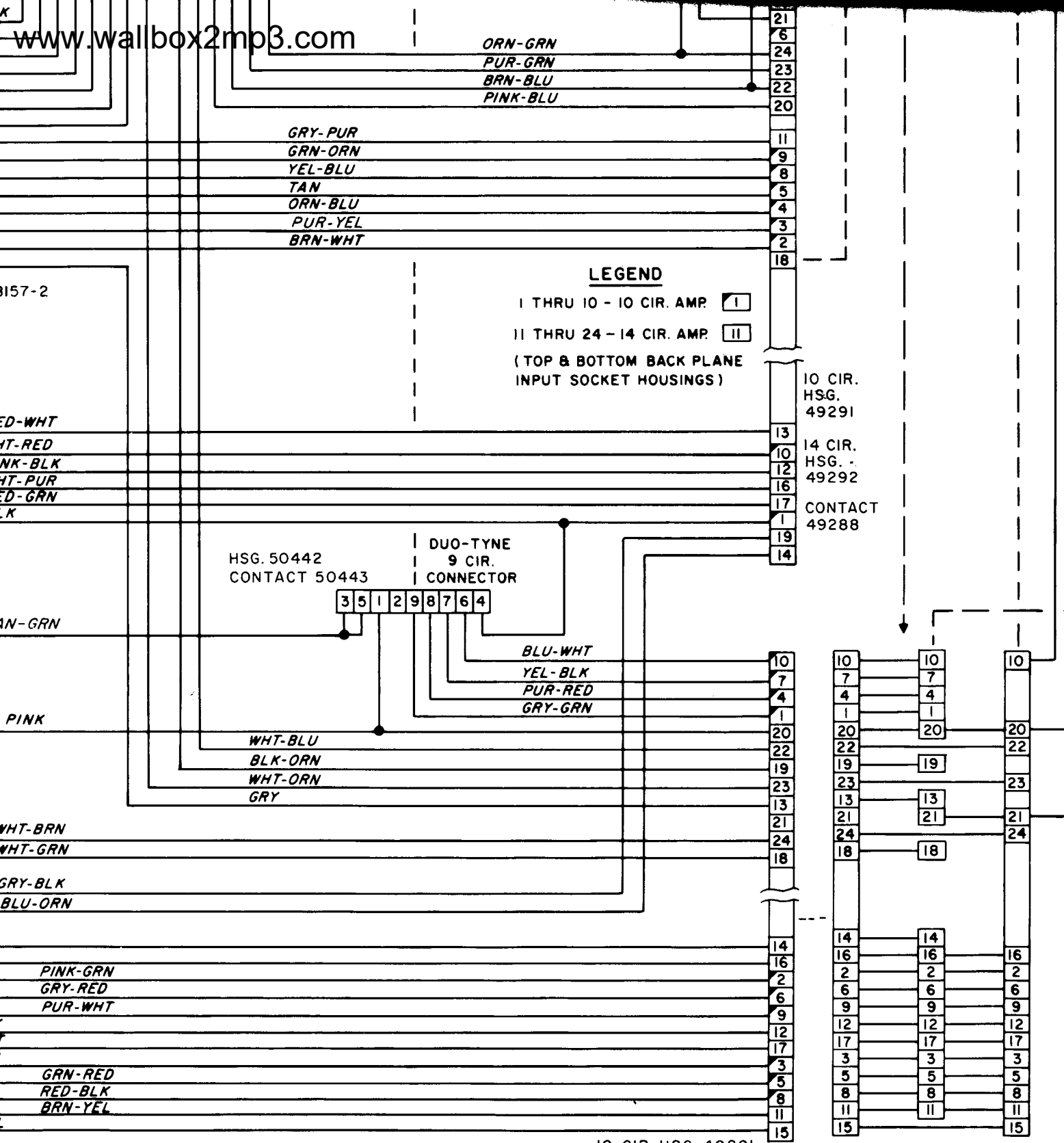
ORN-GRN  
 PUR-GRN  
 BRN-BLU



TOP BACK  
 PLANE INPUT

MAIN  
 BOARD  
 ASSEMBLY  
 NO. 50430-A

7  
 15  
 21  
 6  
 24  
 23

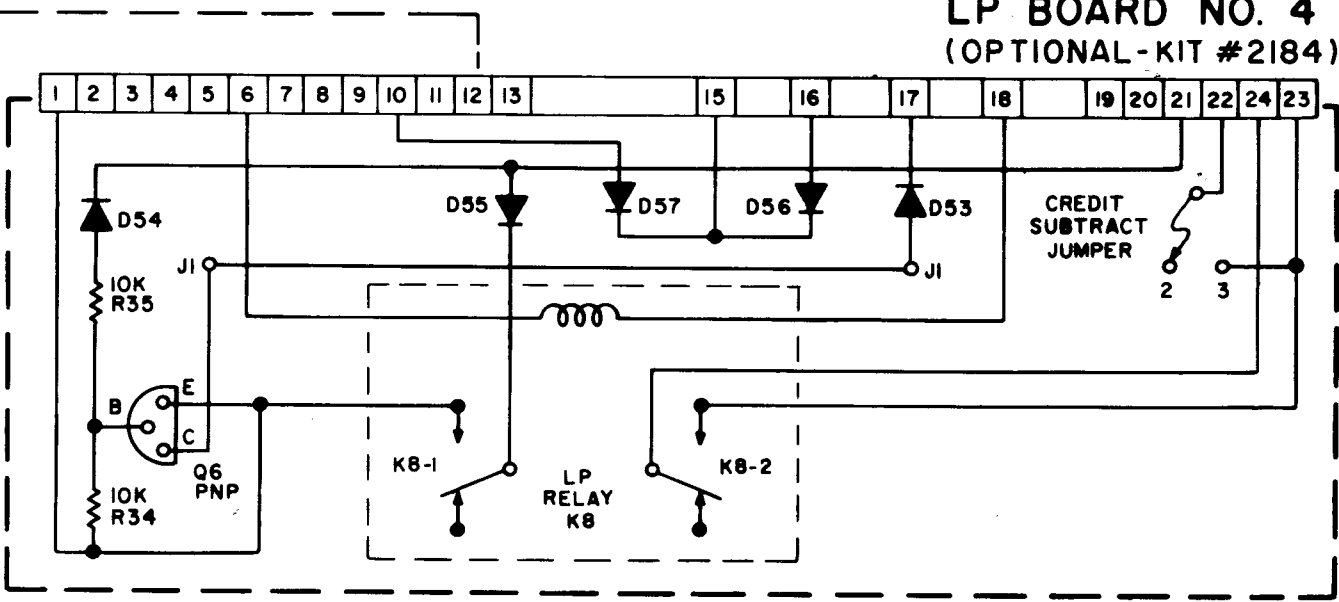


**X MODEL 507  
GRAM**

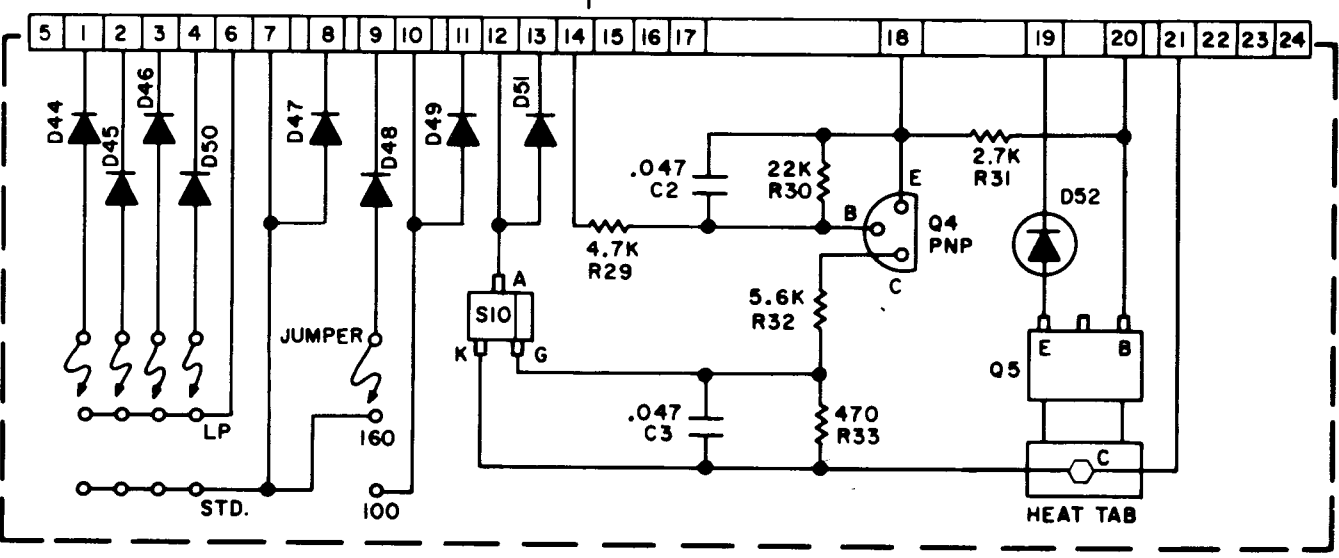
10 CIR. HSG. 49291  
14 CIR. HSG. 49292  
CONTACT 49288

**BOTTOM BACK  
PLANE INPUT**

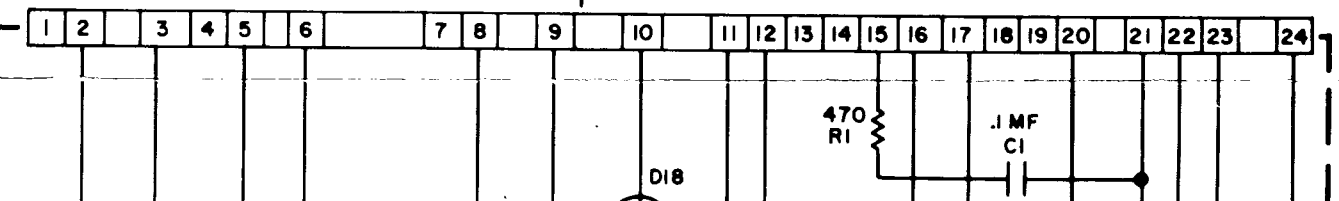
NO. 50420-A  
LP BOARD NO. 4  
(OPTIONAL -KIT #2184)

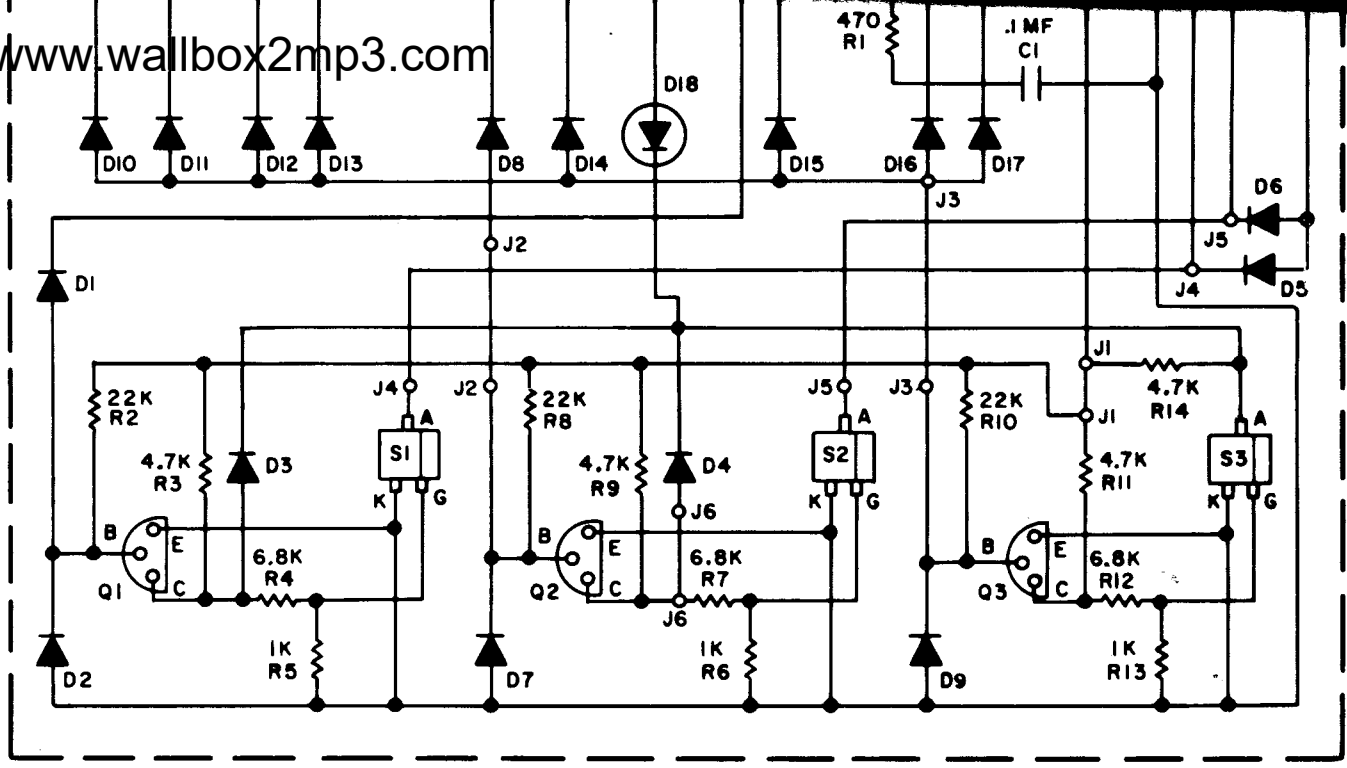


NO. 50415-A  
3RD. DIGIT BOARD NO. 3



NO. 50405-A  
1ST. DIGIT BOARD NO. 1





### NO. 50410-A 2ND. DIGIT BOARD NO. 2

